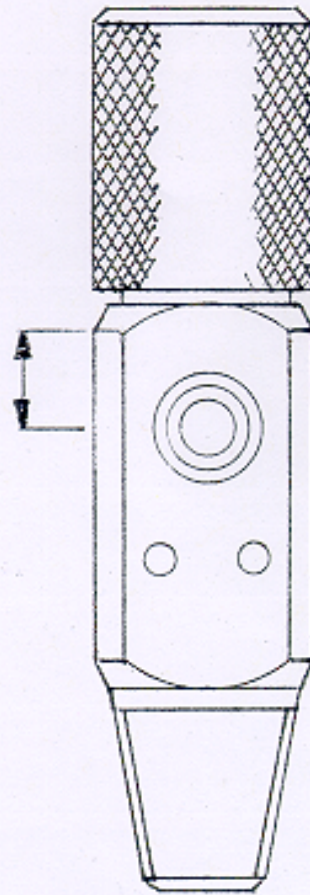
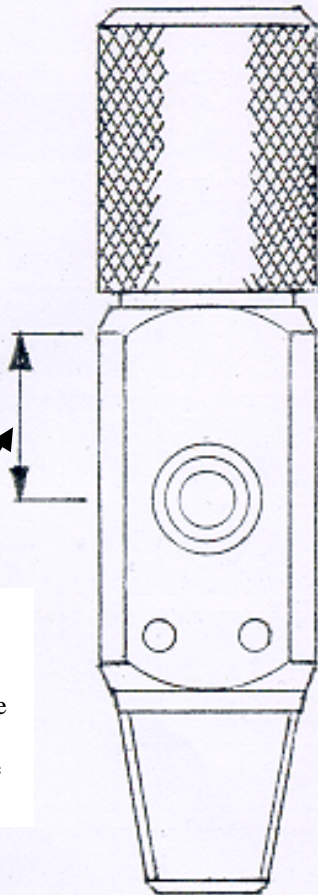


Pin-index, yoke-type valve
Conforms to BS EN 850

Pin-index, yoke-type valve
Non-conforming valve



The distance in spacing between the gas outlet and the top of the valve is greater in the Conforming Valve